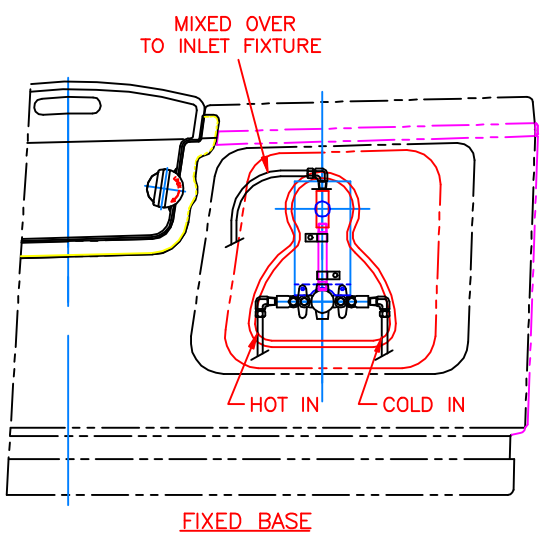
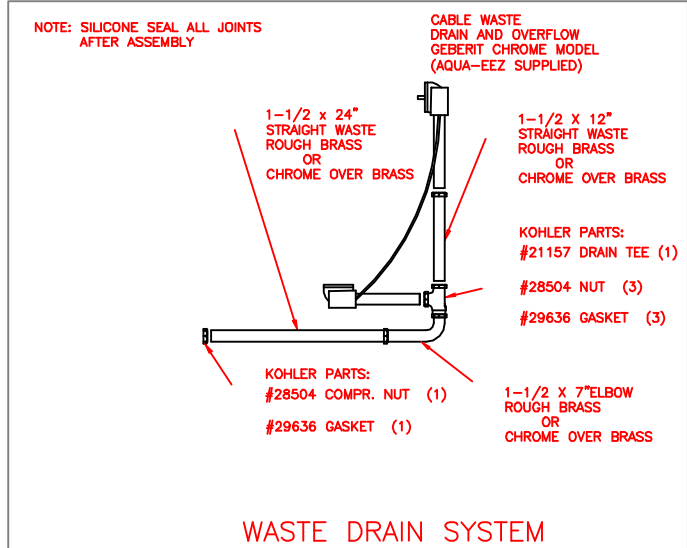
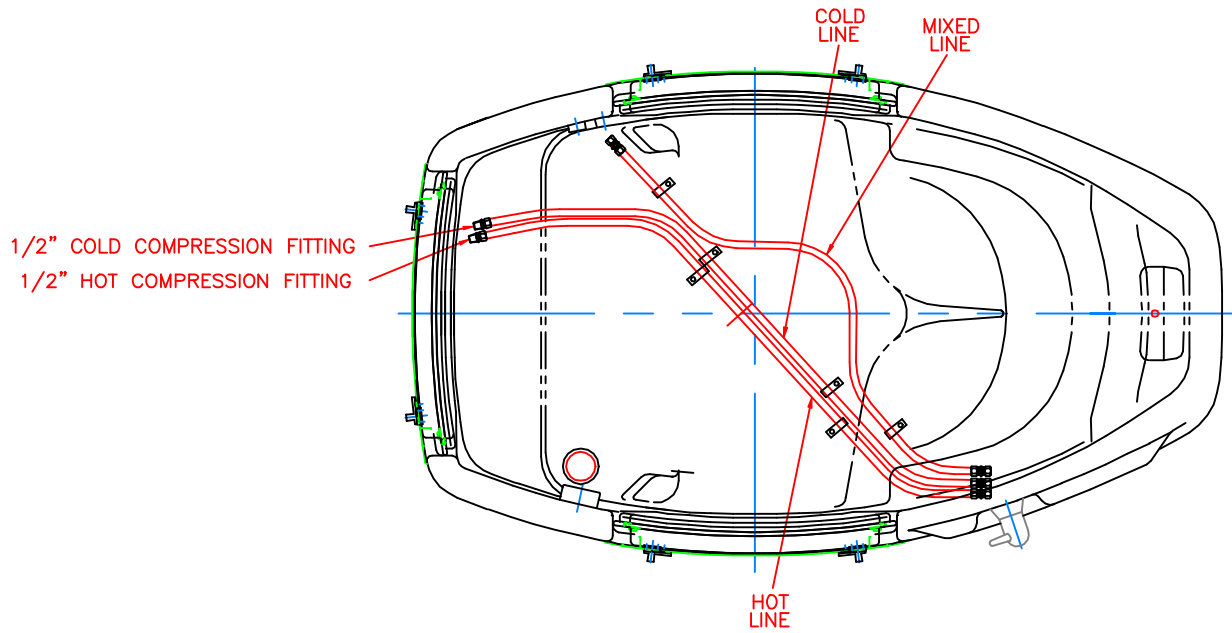


REVISIONS		NAME	APPROVED	DATE
SNL	DESCRIPTION			



NOTES:

DO NOT SCALE DRAWING WORK TO DIMENSIONS ONLY		<b>AQUA-EEZ</b>	
SCALE: 1 : 1	OR AS NOTED		
TITLE: BIRTHING TUB- Model 3000S		PART NO: SEE NOTE 1	
CUSTOMER: AQUA-EEZ		DRAWN BY: M.GALPEAU	
UNLESS OTHERWISE SPECIFIED		DATE: 7/25/00	
INCH	DRIFT ANGLES	DESIGNED BY:	DATE:
FRACT	DECIMALS	DATE:	DATE:
3/16	1/1000	DRAWING NO: 1745	SHEET / REV: 2/16